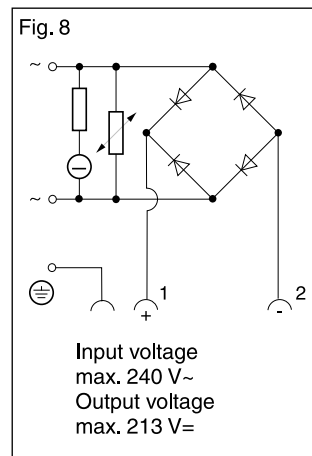
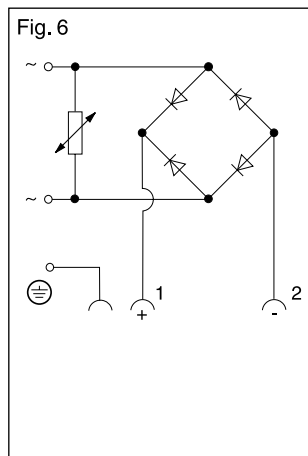
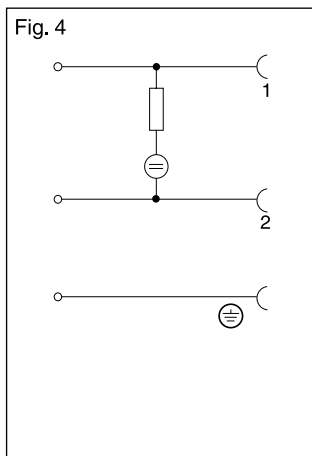
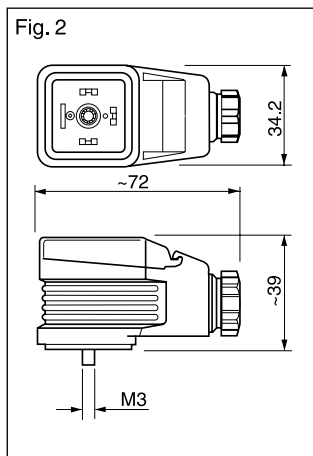
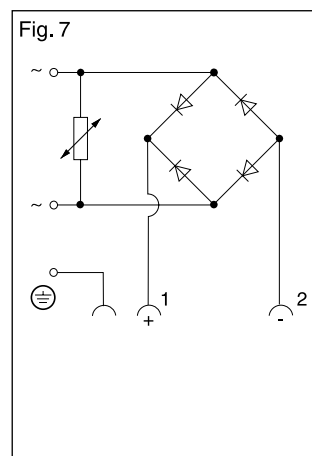
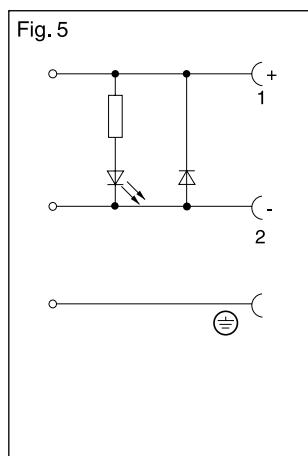
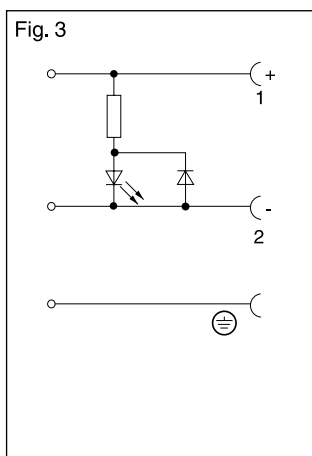
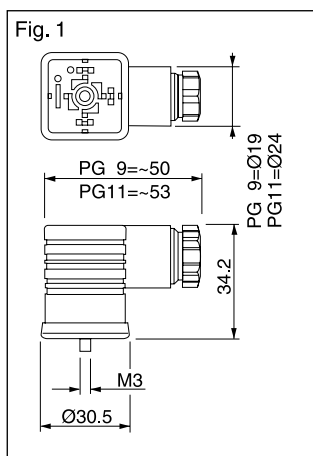
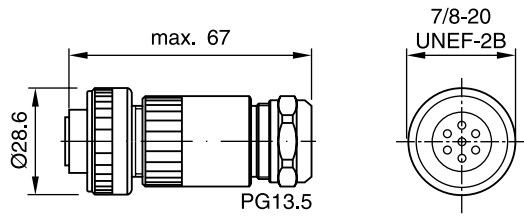


Description	Threaded cable joint	Body colour coding	Figures switching	Order no.
Plug EN 175301-803 <sup>1)</sup> , design type AF, protection class IP65 voltages up to 250 V	PG 9	black, B grey, A	Fig. 1	<b>5001710</b> <b>5001711</b>
	PG11	black, B grey, A	Fig. 1	<b>5001716</b> <b>5001717</b>
Plug with LED insert 24 V	PG11	black, B grey, A	Fig.1 and Fig. 3	<b>5001571</b> <b>5001572</b>
Plug with lamp insert 110 V	PG11	black, B grey, A	Fig.1 and Fig. 4	<b>5001573</b> <b>5001574</b>
Plug with lamp insert 230 V	PG11	black, B grey, A	Fig.1 and Fig. 4	<b>5001575</b> <b>5001576</b>
Plug with LED insert 24 V and suppressing circuitry	PG11	black, B grey, A	Fig.1 and Fig. 5	<b>5001708</b> <b>5001709</b>
Plug with rectifier. Rectifier with 4 silicon diodes in bridge circuit. Varistor in alternating current side to protect the diodes against power peaks	PG11	black, B grey, A	Fig.1 and Fig. 6	<b>5001737</b> <b>5001738</b>
Plug with pull relief and translucent cover	PG11	black, B grey, A	Fig. 2	<b>5001723</b> <b>5001724</b>
Application with bridge rectifier suitable for 5001723 and 5001724	—	—	Fig. 2 and Fig. 7	<b>5001727</b>
Application with bridge rectifier and lamp suitable for 5001723 and 5001724	—	—	Fig. 2 and Fig. 8	<b>5001734</b>



<sup>1)</sup> EN 175301-803 (new) corresponding with DIN 43650 (old).

**Central connector**



Description	Order No.
DIN 43563 6+PE	5004072